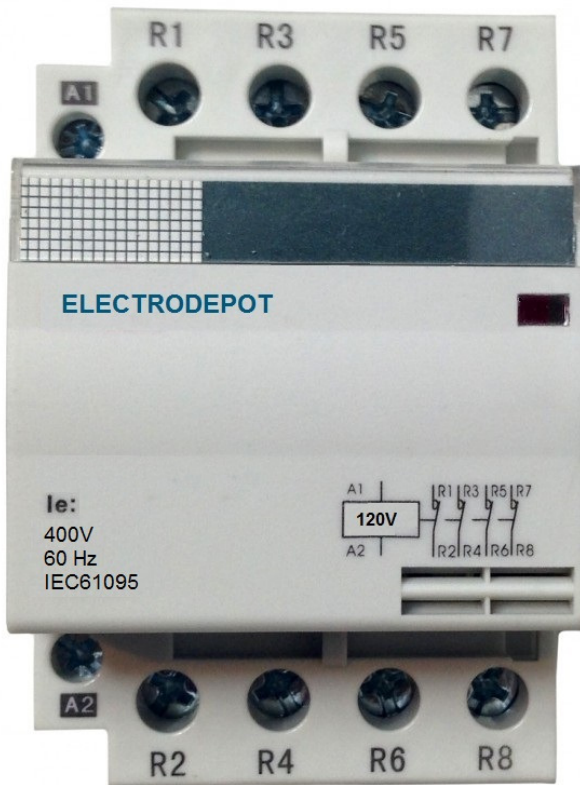


# ELECTRODEPOT

Contactor 934040

4 Pole Normally Open

40A/63A, 120VAC Coil



## Application:

Lighting, Motor or Switching 24/120/220/277 V  
Energy saving, Silent, No humming coil

## Technical Specifications

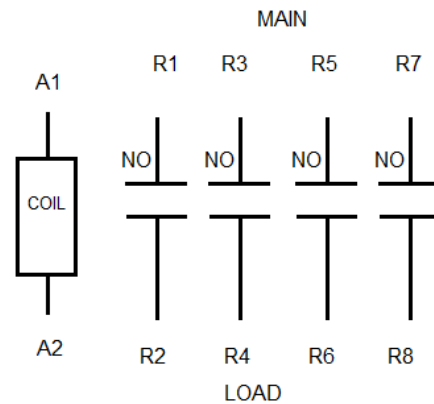
- Contactor IEC 400V
- Contactor Type NO
- Full Load Amps-Inductive 40
- Full Load Amps-Resistive 63
- DC Load: 30A, @ 24VDC
- Power status indicator
- Number of Poles 4
- Coil Volts 110/120VAC, 50/60 Hz
- Coil load; Inrush 52VA, Sealed 10VA
- IEC AC Rate: AC-1; 10 kW, AC-3; 8 kW
- Electric strength: 4 kV
- Operating Temperature -30...+70 °C (-22...+158 °F)

## Wiring:

Solid Conductor: 25 mm<sup>2</sup> Max torque 0.6 Nm  
Stranding Conductor: 16 mm<sup>2</sup>, Max torque 0.6 Nm

## Compliance:

CSA C22.2 No. 14, EN 60947-4-1, EN 60947-5-1, IEC 947-2, IEC 60947-4-1, IEC 60947-5-1, UL 508,



- 1 HP @ 1 Phase - 120V
- 2 HP @ 1 Phase - 230V
- 5 HP @ 3 Phase - 208V
- 5 HP @ 3 Phase - 230V
- 10HP @ 3 Phase - 480V
- Weight: 0.88 lb (0.42 kg)
- CE approved 61095, UL pending
- Base or DIN 35mm mount

